

# Instruction for Change Over Unit (Tank)

When one Tank is empty the change over unit automatically switches to the next Tank.

Proceed with the following steps:

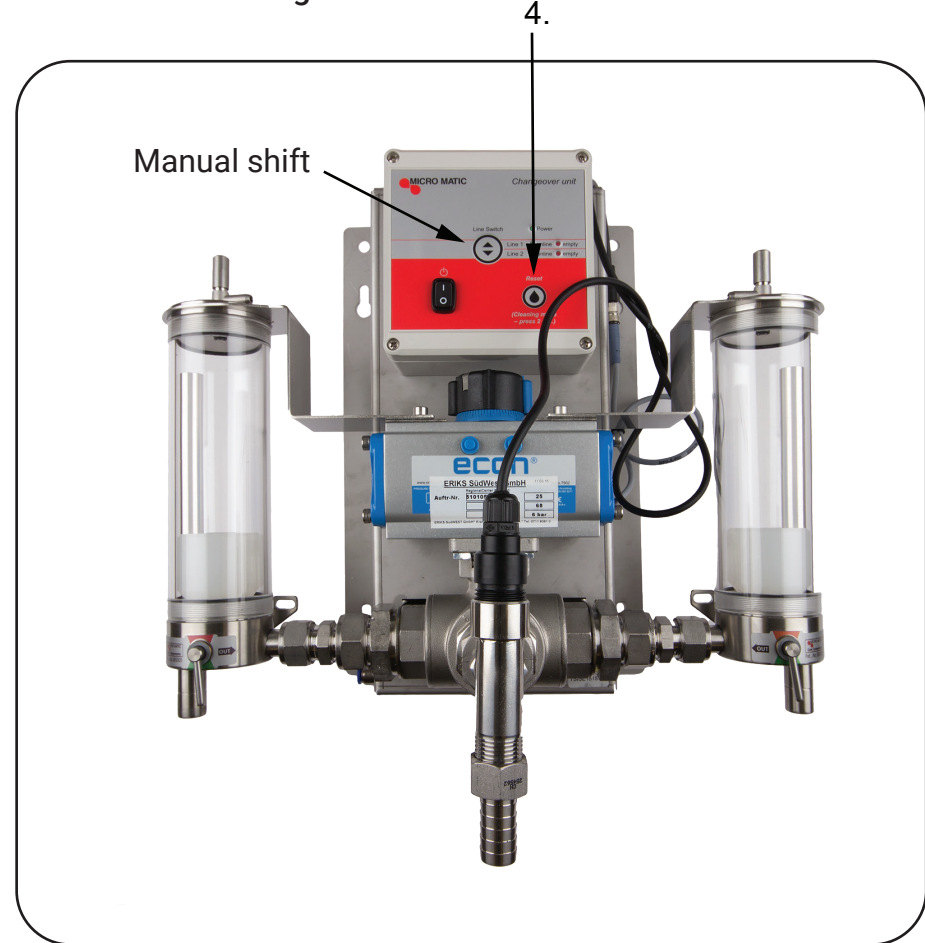
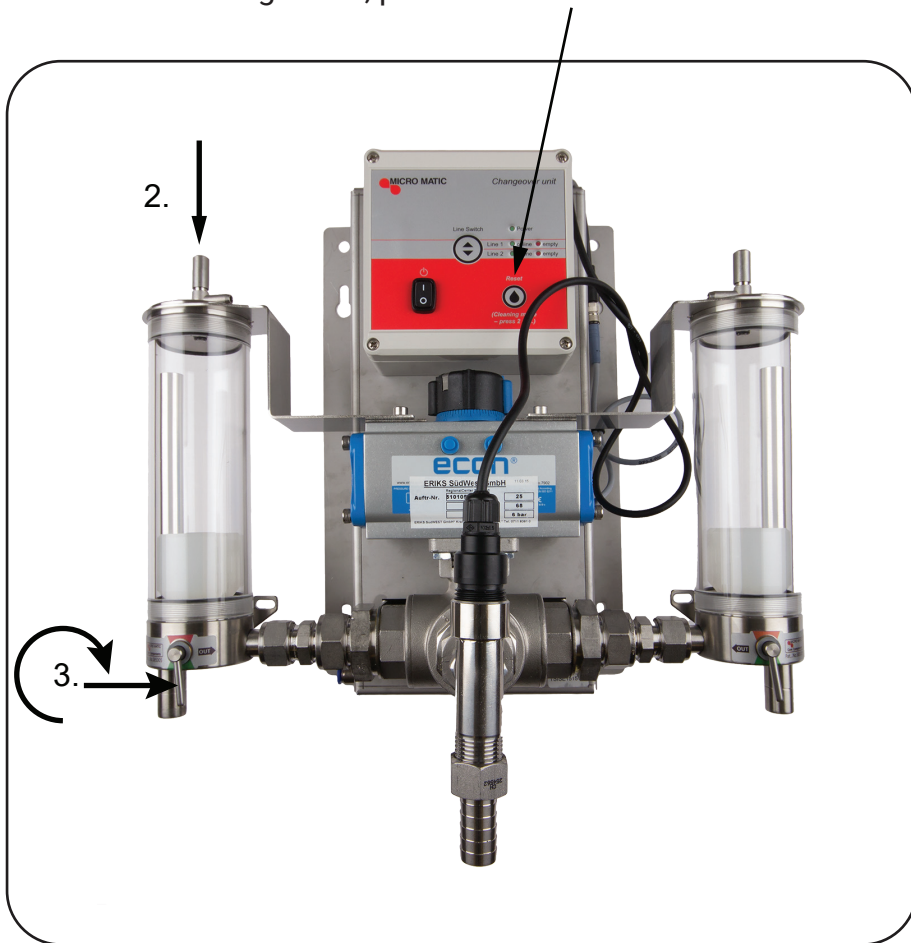
1: Connect a new full Beer Tank.

2: Bleed the Fob Detector.

3: Release the float.

4: Reset the unit by pressing the "Reset" button.

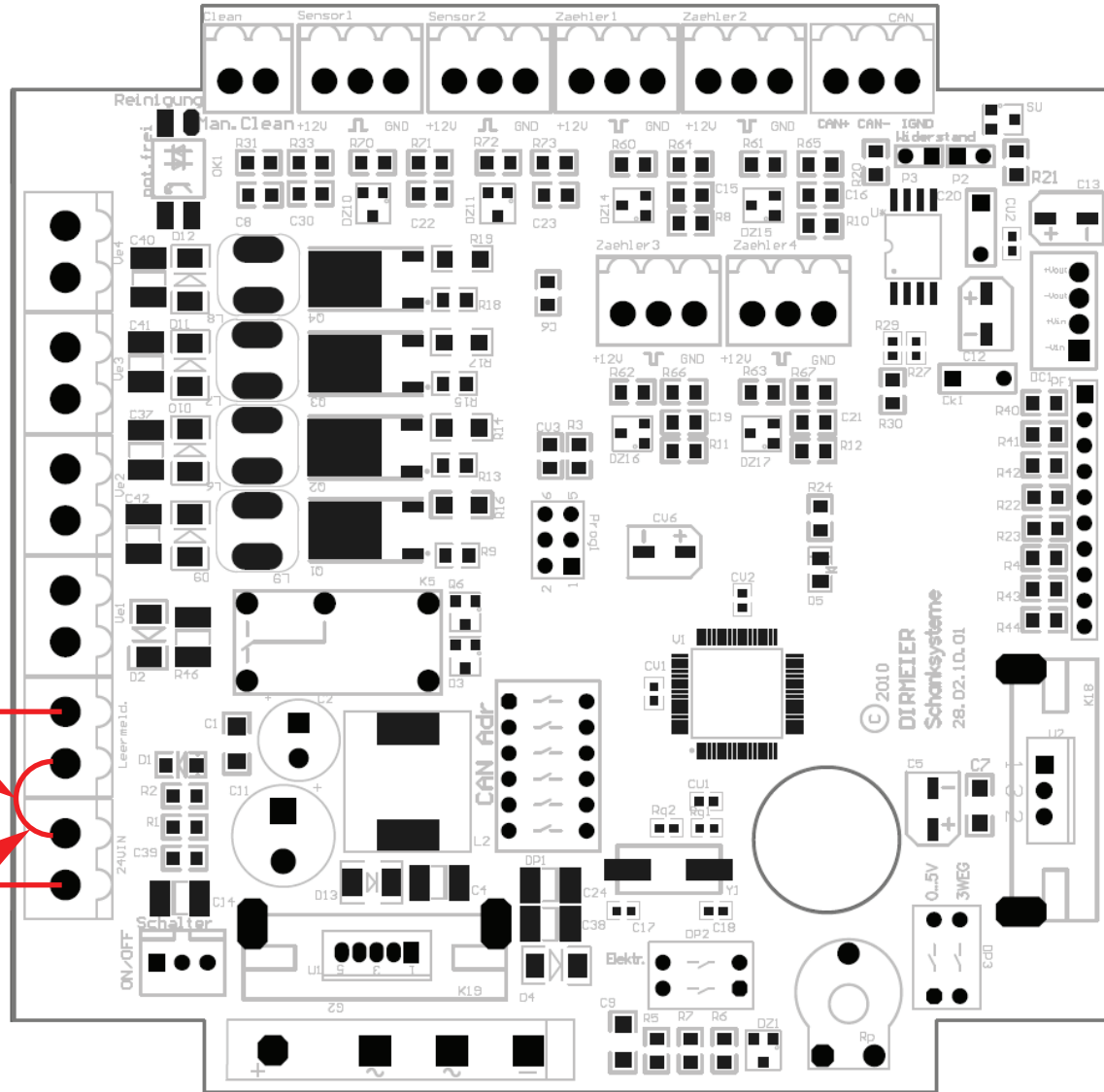
- To enter cleaning mode, press the "Reset" -button for more than three seconds. In cleaning mode there will be no automatic switch.



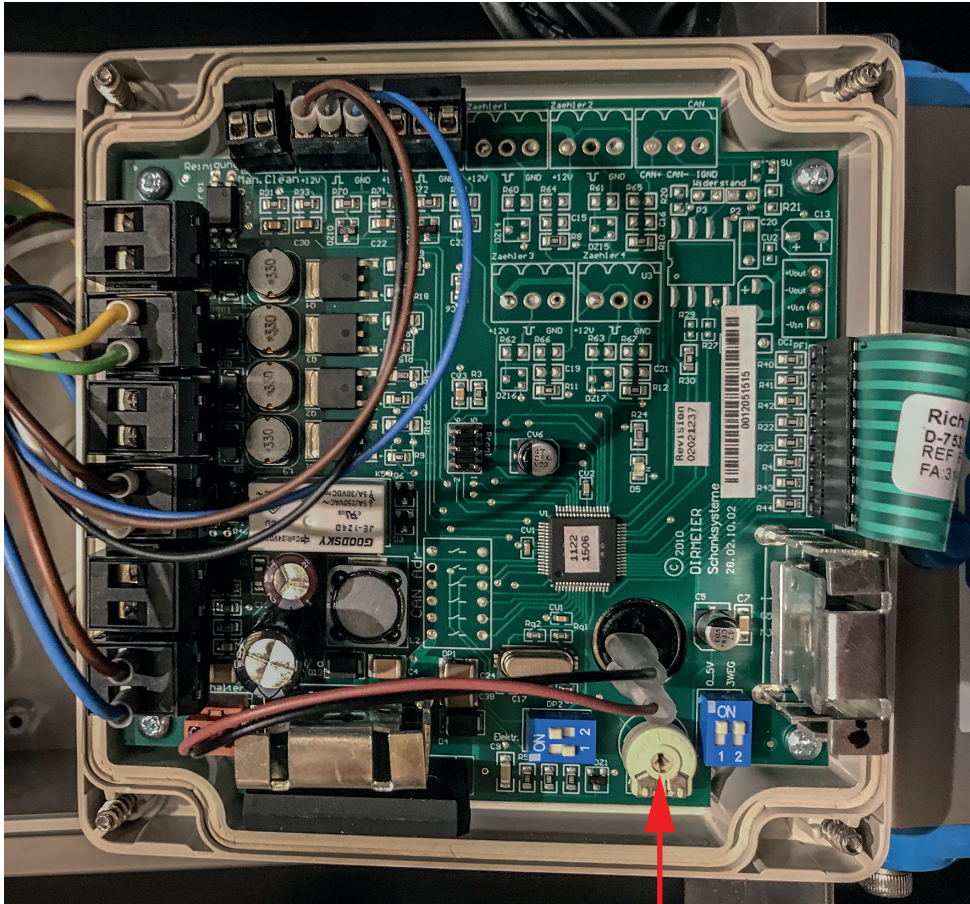
# How to connect an external signal lamp

24 V AC Supply

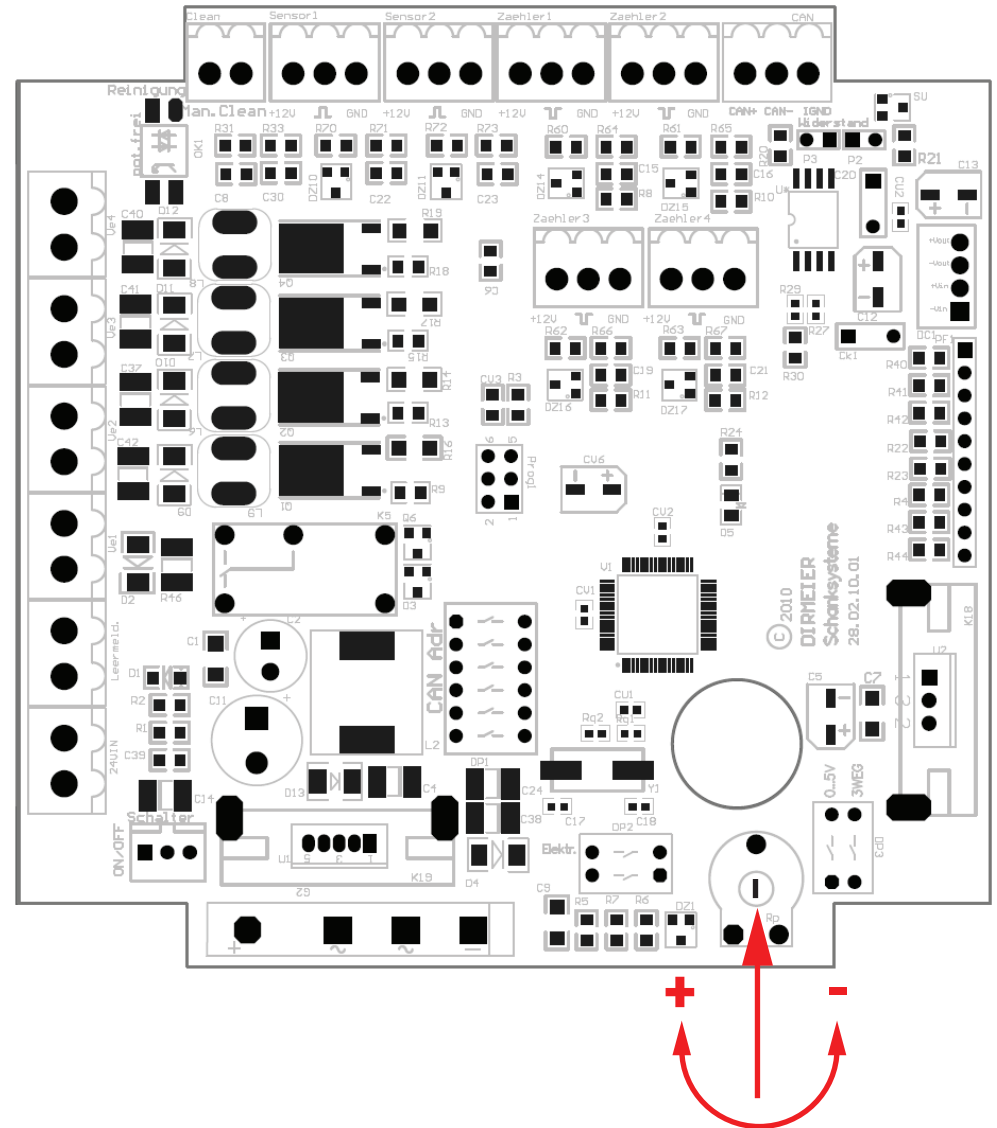
Switch for extern signal lamp



# Adjustment of switching pressure



Potentiometer for adjustment of the switch pressure.



Potentiometer for adjustment of the switch pressure.

The potentiometer is set to ~ 1 bar  
Min. 0 Bar  
Max. 3 Bar

